


# PRODUCT SHEET

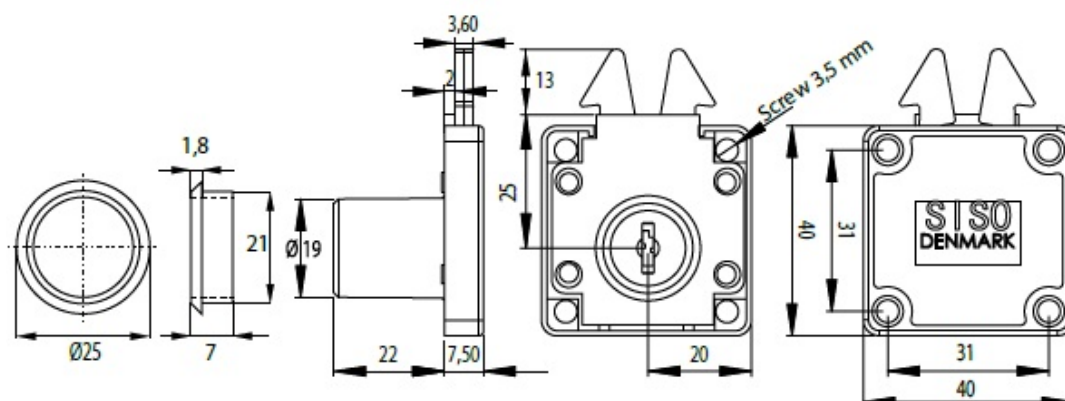
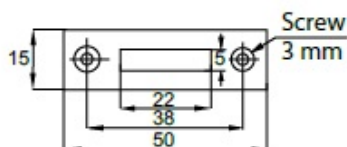
## Description:

Roll Blind Lock MIC-855,  $\varnothing 19 \times 22$ mm, NPL, #J11, HCK SISO, W/ Flat Striking Plate

## Item number:

14.01.463-0

| Units         | Box | Carton | HS Code    | Barcode  |
|---------------|-----|--------|------------|--|
| Pcs.          | 12  | 240    | 8301300000 |  |
| 5704866033602 |     |        |            |  |



## SISO A/S

Mileparken 11  
DK-2740 Skovlunde  
Denmark  
VAT: DK 24786013

Phone +45 45 830 900

[www.siso.dk](http://www.siso.dk)  
[siso@siso.dk](mailto:siso@siso.dk)

Danske Bank  
Nytorv Branch  
Copenhagen  
SWIFT: DABADKKK

Account no.  
4180 3112 112936  
IBAN Account  
DK7230003112112936